

Multichannel Pump Head

DG Series

Product Introduction

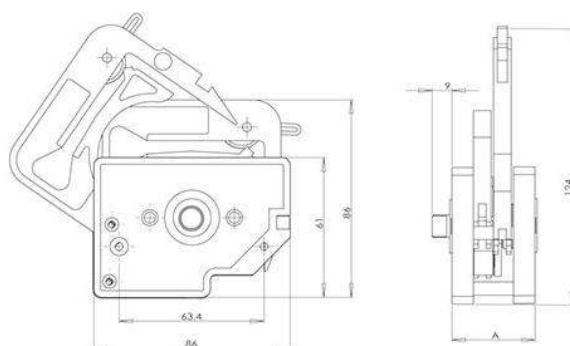
The first generation multichannel pump head is used for multichannel transfer micro liquid. Occlusion can be adjusted. Widely used in supporting analytical instruments.

Model Number

| DG-1, DG-2, DG-4, DG-6, DG-8, DG-12



Installation Sizes Drawing (Unit: mm)



Typical Application

Widely used in supporting analytical instruments and laboratories.



DG-4, DG-6, DG-8, DG-12 use unique spanner to open the cartridge

Technical Specifications

Pump Head		DG-1	DG-2	DG-4	DG-6	DG-8	DG-12
Channel number		1	2	4	6	8	12
Tubing		Inside Diameter: 0.13-2.5mm, Wall Thickness: 0.5-1mm					
Flow rates (≤100rpm)	6 rollers	0.00008-27 mL/min(per channel)					
	10 rollers	0.000067-21.6 mL/min (per channel)					
Cartridge material		POM					
Rollers material		304 stainless steel					
Weight (kg)	6 rollers	0.21	0.27	0.40	0.54	0.67	0.95
	10 rollers	0.20	0.26	0.39	0.51	0.63	0.88



Multichannel Pump Head-MC Series

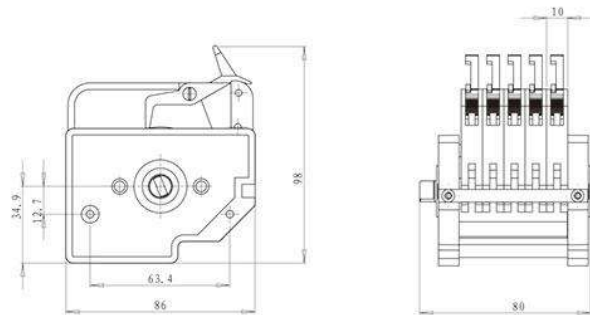
POM Material & PVDF Material



Product Introduction

MC series new generation multichannel pump head with unique cam structure, make it much easier to operate. It is designed for small flow rates and multichannel transfer. Comparing with traditional DG pump head, it has particular cam design for micro adjustment occlusion, and also for opening the cartridge from the top. 304 stainless steel rollers assembly include two structures of 6 rollers and 10 rollers. Install silicone tubing and TYGON series imported tubing. It is widely used in supporting analytical instruments.

Installation Sizes Drawing (Unit: mm)



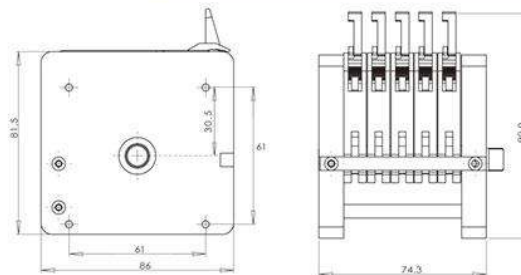
Note: Increasing or reducing one channel, the pump head size need to increase or reduce the thickness of one cartridge.

Typical Application

- | Support blood sugar analytical device.
- | Support ammonian analytical instrument.



Installation Sizes Drawing (Unit: mm)



Note: Increasing or reducing one channel, the pump head size need to increase or reduce the thickness of one cartridge.

MC Pump Head vs DG Pump Head



1. The traditional DG series pump head need to open the cartridge from the bottom. It is very inconvenient to use when the space of the equipment is compact. The MC series pump head just need to open the cartridge from the top, easy to operate.

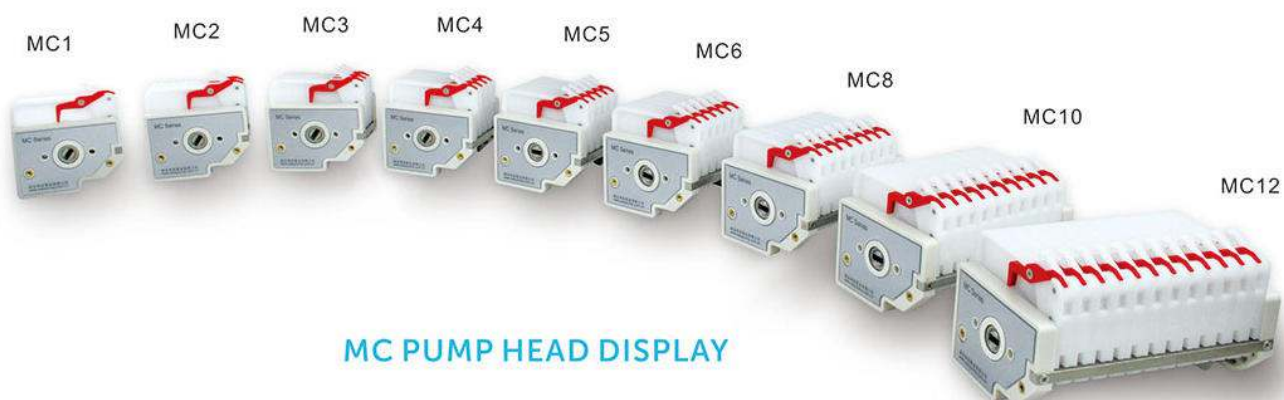
2. The gear on the MC pump head is smaller than DG, this improved the adjusting resolution.



DG Series



Multichannel Pump Head-MC Series



MC PUMP HEAD DISPLAY

Tubing Installation Procedure

A. Turn the spanner clockwise to take it off from the lever.



B. After that, the cartridge can be taken out lightly.



C. Install the tubing and confirm the working position between two adjacent clamps.



D. Embed the cartridge and press it lightly to reach the working position.



E. Turn the spanner counter-clockwise to make it reach the lever.



F. Multichannel pump heads and tubing drawing.



MC Technical Specifications

Channel number	1	2	3	4	5	6	8	10	12
Cartridge material	POM/PVDF								
Rollers material	304/316 stainless steel material								
Rollers number	6 rollers, 10 rollers								
Tubing	Speed	Flow rate of pump head with 10 rollers (mL/min)	Flow rate of pump head with 6 rollers (mL/min)	Tubing maximum pressure (Mpa)					
1×1	0.1~150rpm	0.0046~7.03	0.0053~8.13	Continuous	0.1				
2×1		0.016~23.07	0.02~33.08	Intermittent	0.1				
2.4×0.8		0.021~31.26	0.027~44.62						
3×1		0.032~49.07	0.043~65.00						

